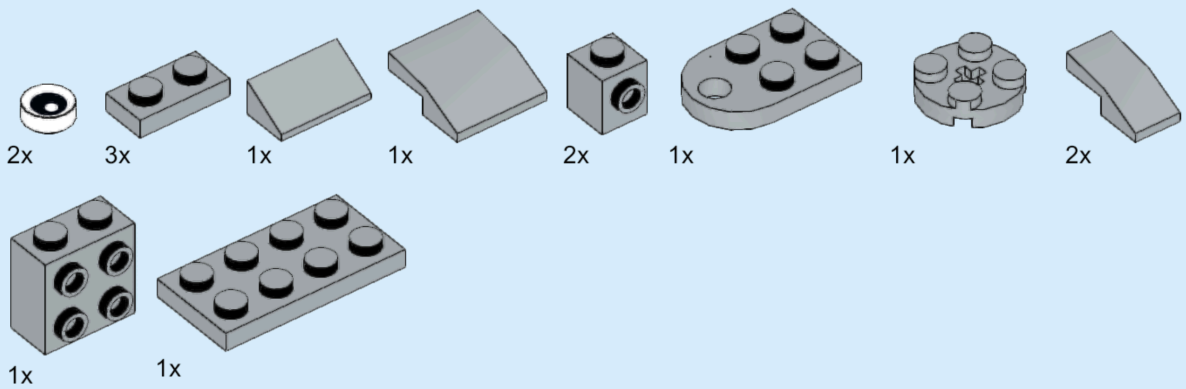




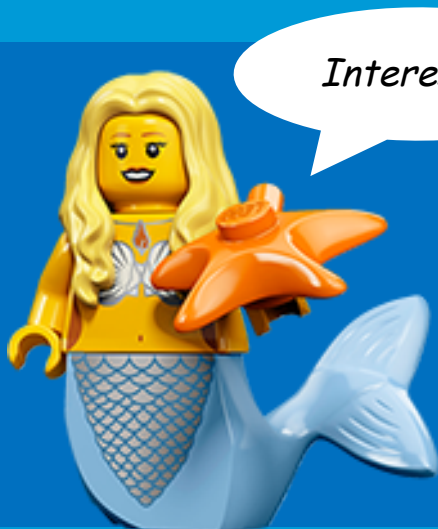
BOOK WEEK ACTIVITY PACK!

Dugong Magic Build!

Find all the pieces you will need for the Dugong Magic build below!



- 2 eyes
- 3 Grey 1x2 plate
- 1 Grey 1x2 cheese slope
- 1 Grey 2x2 curved slope
- 2 Grey SNOT brick
- 1 Grey 3x2 plate with curve
- 1 Grey 2x2 round plate
- 2 Grey 1x2 curved slope
- 1 Grey 1x2x2 Brickheadz SNOT brick
- 1 Grey 2x4 plate



DID YOU KNOW?

Dugongs are more closely related to elephants than to whales and dolphins!

DON'T FORGET TO TUNE IN ON SUNDAY AT 11AM!

LENTO & FOX

WORD SEARCH

L	O	T	A	N	O	O	P	S	L	Y	E
X	B	O	O	K	L	R	N	E	P	R	F
S	T	T	F	R	E	A	T	B	T	F	L
S	N	O	O	Z	E	B	F	N	O	G	U
I	O	L	T	F	E	B	P	E	T	U	F
F	G	E	R	L	F	I	A	I	B	E	F
I	K	N	O	T	G	T	F	I	S	O	I
K	S	T	E	A	L	O	N	S	L	U	N
R	T	O	L	E	L	N	A	E	O	X	G
T	F	L	O	T	N	G	K	R	T	A	T
F	G	F	O	X	T	B	O	U	H	G	O
K	R	T	H	Z	O	O	E	B	N	R	N

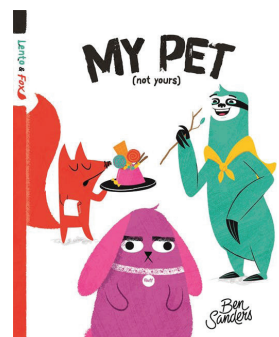
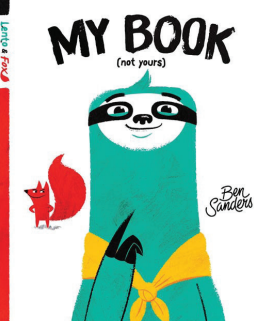
LENTO
BOOK

FOX
PET

FLUFFINGTON
STEAL

SLOTH
SLY

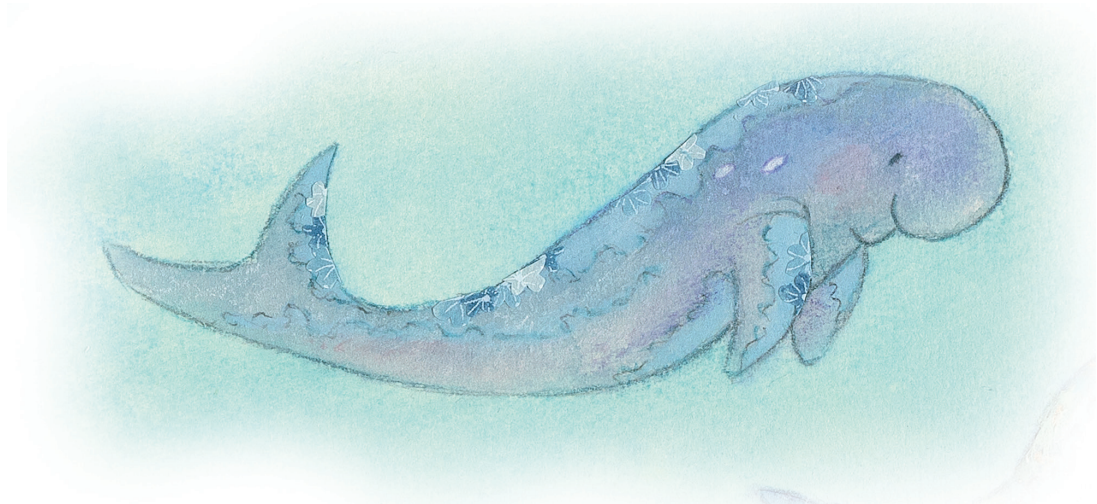
RABBIT
SNOOZE



WORKSHEETS

WORKSHEET 1: DRAW AND COLLAGE THIS IMAGE

Draw an ocean scene behind this image of a dugong and then collage it using materials such as those which are used in this book, or other materials such as grass, mesh, glitter, foil, coloured or patterned papers.



WORKSHEET 2: DUGONG QUIZ

1. What is the origin of the name 'Dugong'.
2. What other name are dugongs known by?
3. What animal are dugongs most closely related to?
4. How long can dugongs live for?
5. What do dugongs mainly eat?
6. What level of danger are they classified by, according to the IUCN?
7. How do dugongs communicate?
8. What environmental threats to their survival do dugongs confront?
9. What percentage of the world's population of dugongs live in Australian waters?
10. What is the flattened fluked tail of a dugong similar to?

Answer: 1. It is said to be a Malay word meaning 'Lady of the Sea.' 2. Sea Cows. 3. Elephants. 4. Up to 70 years. 5. Sea grass. 6. Vulnerable to extinction. 7. They have excellent hearing and communicate via barks, chirps, squeaks, trills and other sounds that can travel through water. 8. Pollution, boat strikes and becoming tangled in fishing nets. 9. More than half of the world's dugongs live in Australian waters. 10. The tail of a whale.

WORKSHEET 3: DUGONG POETRY

A. ACROSTIC POEM

D	
U	
G	
O	
N	
G	

B. CALLIGRAM OR SHAPE POEM

Write a poem in the shape of a dugong:

C. HAIKU POEM

5 syllables:	
7 syllables:	
5 syllables:	

[See: '7 Poetry Forms Every Teacher Should Be Teaching and Why'
Literacy Ideas for teachers and Students
<<https://www.literacyideas.com/latest/2018/3/1/7-poetry-forms-every-teacher-should-be-teaching-and-why-they-should-be-teaching-them>>

Find out more about these terrific books!

www.hachette.com.au/deborah-kelly-lisa-stewart/dugong-magic

www.hachette.com.au/ben-sanders/my-book-not-yours-lento-and-fox-book-1

Characters used with permission from Dugong Magic by Deborah Kelly and Lisa Stewart, Hachette Australia, 2020.

Characters used with permission from My Book (Not Yours) by Ben Sanders, Hachette Australia, 2019.